

Product Features

- Compatible with industry standard relay racks
- Easily visible status LED
- Module matches industry standard footprint
- UL, CSA, and CE marks standard
- Proven reliable circuitry

Sealevel Systems, Inc – Quick Start Guide

Input

Nominal Input Voltage:	24 V dc
Minimum Input Voltage:	3.3 V dc
Maximum Input Voltage:	32 V dc
Nominal Input Resistance:	1K ohm
Maximum Input Current:	32 mA dc
Drop Out Current:	1.0 mA dc
Allowable Off-state Current:	1.0 mA dc
Allowable Off-state Voltage:	2.0 V dc

Output

Nominal Logic Voltage:	5 V dc
Minimum Logic Voltage:	3 V dc
Maximum Logic Voltage:	7 V dc
Typical Logic Supply Current:	10 mA dc
Max. Logic Supply Current:	1.85 mA dc
Max. Logic Sup. Leak. Current:	10 μ A dc
Maximum Output Voltage:	30 V dc
Maximum Output Current:	50 mA dc
Max. Output Leakage Current:	10 μ A dc
Max. Output Voltage Drop:	200 mV dc
Maximum Turn-on Time:	300 μ sec
Maximum Turn-off Time:	600 μ sec

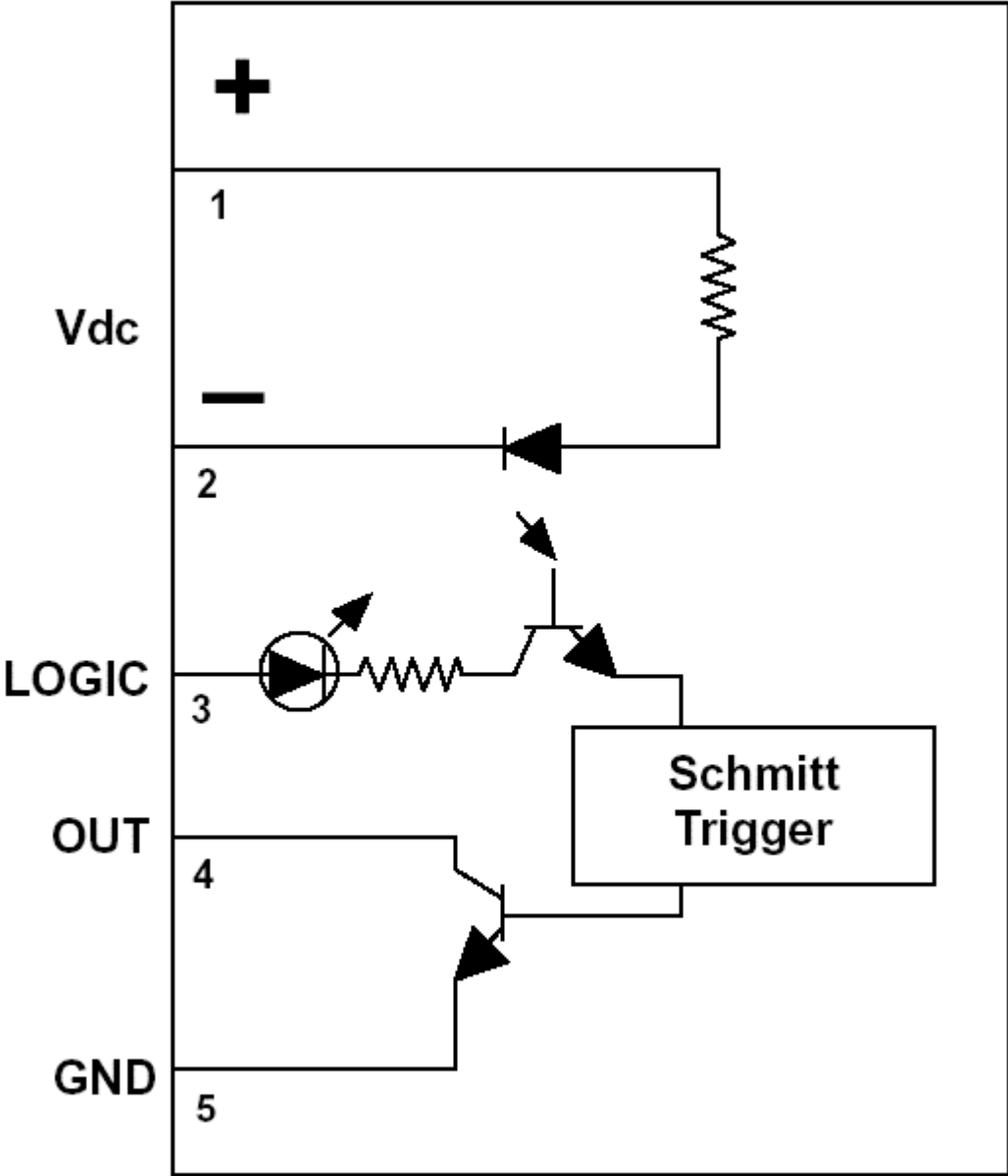
General Specifications

Operating Temperature Range:	-30 to +80° C
Storage Temperature Range:	-40 to +100° C
Isolation:	4,000 V rms
Capacitance Input to Output:	8 pF

Application Notes

- Do not install or remove modules in live (electrically hot) circuits. High voltage may be present.
- Input connections are polarized according to diagram.

Schematic



Dimensions

