

Product Features

- Compatible with industry standard relay racks
- Easily visible status LED
- Module matches industry standard footprint
- UL, CSA, and CE marks standard
- Proven reliable circuitry

Sealevel Systems, Inc – Quick Start Guide

Input

Nominal Input Voltage:	24 Vrms/Vdc
Minimum Input Voltage:	10 Vrms/Vdc
Maximum Input Voltage:	60 Vrms/Vdc
Maximum Input Current:	30 mA rms
Drop Out Current:	1.0 mA rms
Allowable Off-state Current:	1.0 mA rms
Allowable Off-state Voltage:	2.0 Vrms/Vdc

Output

Nominal Logic Voltage:	5 Vdc
Minimum Logic Voltage:	3 Vdc
Maximum Logic Voltage:	7 Vdc
Typical Logic Supply Current:	10 mA dc
Max. Logic Supply Current: **	18.5 mA dc
Max. Logic Sup. Leakage Current: **	10 uA dc
Maximum Output Voltage:	30 Vdc
Maximum Output Current:	50 mA dc
Max. Output Leakage Current: **	10 uA dc
Max. Output Voltage Drop:	200 mV dc
Maximum Turn-on Time (Vac):	20 msec
Maximum Turn-off Time (Vac):	30 msec
Maximum Turn-on Time (Vdc):	1 msec
Maximum Turn-off Time (Vdc):	1 msec

** @ maximum logic voltage

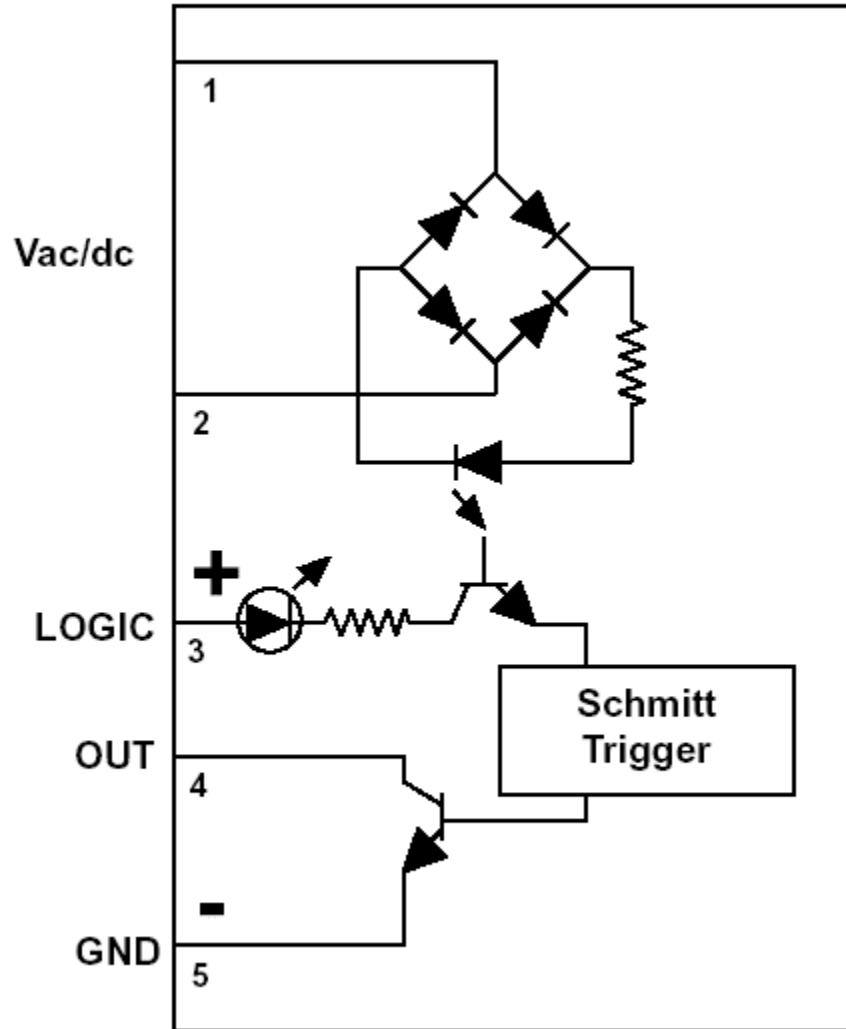
General Specifications

Operating Temperature Range:	-30 to +80° C
Storage Temperature Range:	-40 to +100° C
Isolation:	4,000 V rms
Capacitance Input to Output:	8 pF
Line Frequency Range:	0 to 63 Hz

Application Notes

- Do not install or remove modules in live (electrically hot) circuits. High voltage may be present.
- Input connections are non-polarized.

Schematic



Dimensions

