

Product Features

- Compatible with industry standard relay racks
- Easily visible status LED
- Fuse can be tested and removed without removing module
- Popular CE-rated Euro-style fuse has multiple sources
- Module matches industry standard footprint
- UL, CSA, and CE marks standard
- Proven reliable circuitry

Sealevel Systems, Inc – Quick Start Guide

Input

Nominal Input Voltage:	5 V dc
Min. Input Voltage @ Pin 3:	4 V dc
Max. Input Voltage @ Pin 3:	7.5 V dc
Must Turn-off Voltage:	2.0 V dc
Typical Input Current:	10 mA dc
Maximum Input Current:	27 mA dc
Nominal Input Resistance:	240 ohm

Output

Nominal Line Voltage:	120 V rms
Maximum Line Voltage:	140 V rms
Minimum Line Voltage:	12 V rms
Max. Peak Off-state Voltage:	400 V peak
Max. Off-state Leak. Current:	2.5 mA rms
Static Off-state (dv/dt):	200 V/us
Maximum On-state Current: **	3A rms
Minimum On-state Current:	50 mA rms
Maximum 1 Cycle Surge:	100 A peak
Peak On-state Voltage:	1.6 V peak
Fuse Rating:	4A fast-acting
Response Time:	0.5 cycle

** Derate 33mA/deg. above 25° C

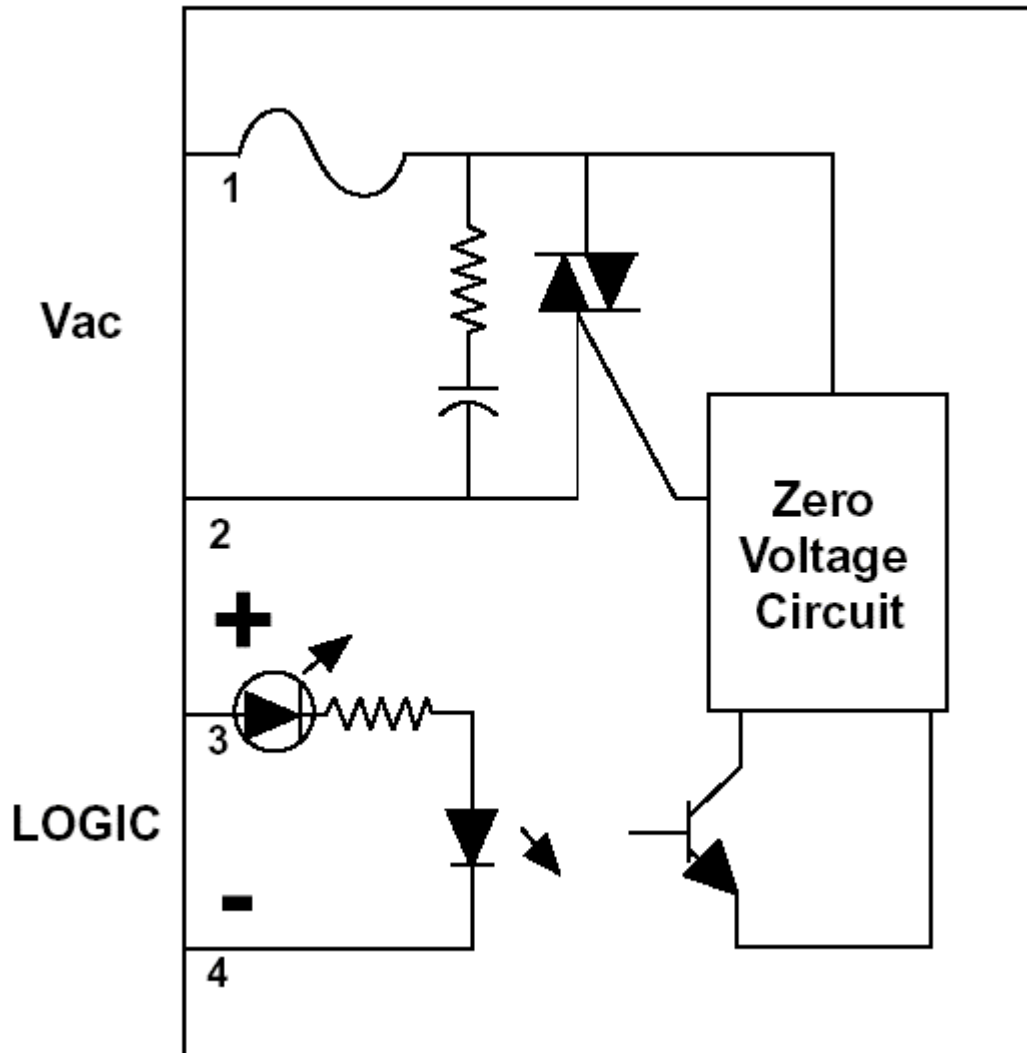
General Specifications

Operating Temperature Range:	-30 to +80° C
Storage Temperature Range:	-40 to +100° C
Isolation:	4,000 V rms
Capacitance Input to Output:	8 pF
Line Frequency Range:	47 to 63 Hz

Application Notes

- Do not install or remove modules in live (electrically hot) circuits. High voltage may be present.
- Output connections are non-polarized.
- Fuse is 4A, very quick blow fuse, Wickman 19373K.4A or equivalent.
- Outputs are zero-cross.
- Outputs are normally open.

Schematic



Dimensions

