

Product Features

- Compatible with industry standard relay racks
- Easily visible status LED
- Fuse can be tested and removed without removing module
- Popular CE-rated Euro-style fuse has multiple sources
- Module matches industry standard footprint
- UL, CSA, and CE marks standard
- Proven reliable circuitry

Sealevel Systems, Inc – Quick Start Guide

Input

Nominal Input Voltage:	5 V dc
Min. Input Voltage @ Pin 3:	4 V dc
Max. Input Voltage @ Pin 3:	7.5 V dc
Must Turn-off Voltage:	2.0 V dc
Typical Input Current:	10 mA dc
Maximum Input Current:	27 mA dc
Nominal Input Resistance:	240 ohm

Output

Nominal Line Voltage:	24 V dc
Maximum Line Voltage:	60 V dc
Minimum Line Voltage:	3 V dc
Max. Peak Off-state Voltage:	60 V dc
Max. Off-state Leak. Current:	1.0 mA dc
Maximum On-state Current: **	3A dc
Minimum On-state Current:	10 mA dc
Maximum 1 Second Surge:	5 A peak
Peak On-state Volt. @ 25° C:	1.5 V peak
Maximum Turn-on Time:	50 μ sec
Nominal Turn-on Time:	10 μ sec
Maximum Turn-off Time:	100 μ sec
Derating per ° above 60° C: **	33 mA
Fuse Rating:	4 A fast-acting

** Derate 33mA/deg. above 25° C

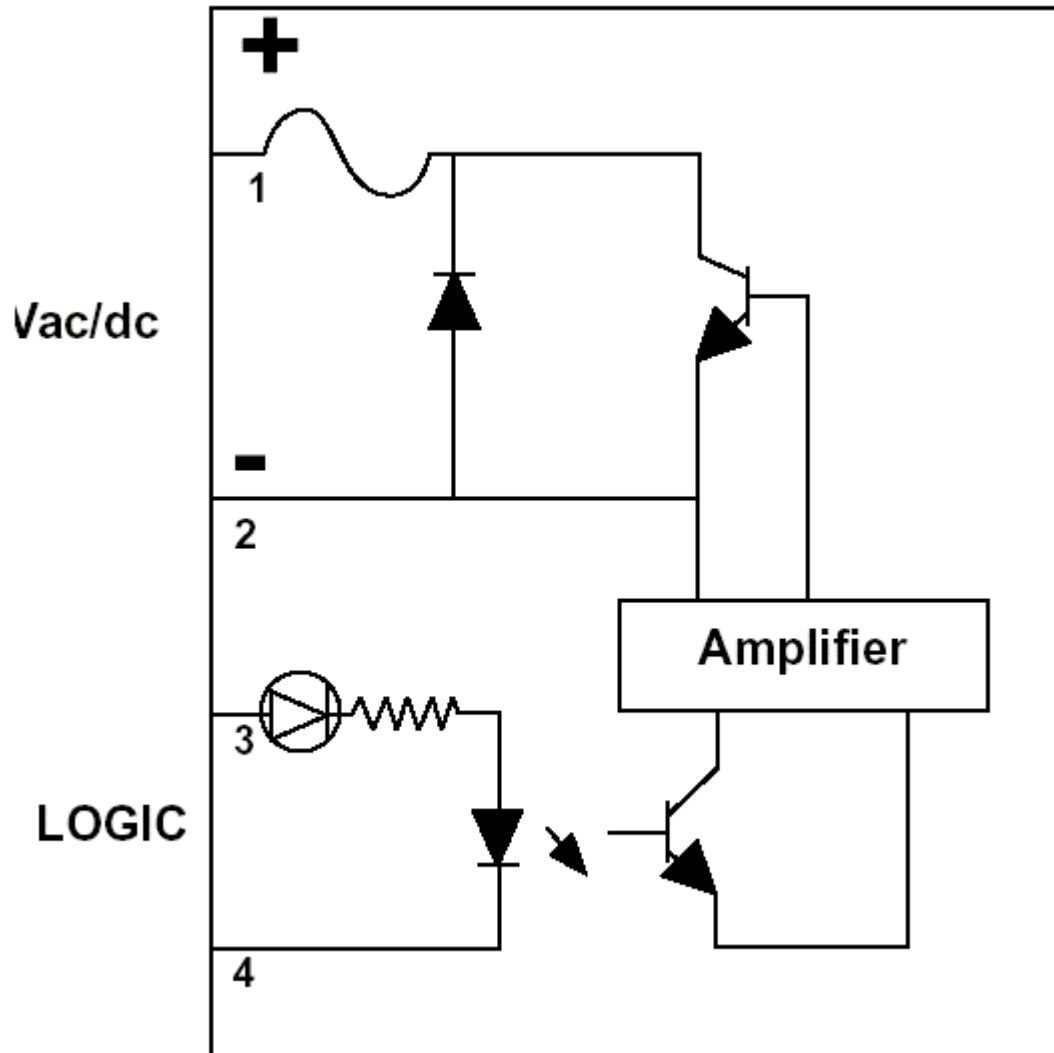
General Specifications

Operating Temperature Range:	-30 to +80° C
Storage Temperature Range:	-40 to +100° C
Capacitance Input to Output:	8 pF

Application Notes

- Do not install or remove modules in live (electrically hot) circuits. High voltage may be present.
- Output connections are polarized.
- An externally located commutating diode must be installed across inductive loads.
- Fuse is 4A, very quick blow fuse, Wickman 19373K.4A or equivalent.

Schematic



Dimensions

